

CPS MENUBOARD W2P 46 - 65“

comPROnents® complete solution

Item no.: 3308

The CPS Menuboard W2P 46 - 65“ is a wall mounting system.

The system is suitable for two screens between 46 - 65“ | 117 - 165 cm screen diagonal, which are mounted side-by-side.

The screens are mounted in portrait orientation.

The VESA mountings can be fitted with a maximum of VESA 400 x 600 mm and can also be tilted from 0 to 20°.

The total width of the system is 1209 mm. This can be shortened if necessary.

Cables are routed via cable clips on the rails.

The surfaces of the components are protected by an impact and scratch resistant powder coating in black.

The maximum load is 50 kg per screen.

The complete solution can be combined and extended with the components of the comPROnents® series without restriction and thus offer further application possibilities.



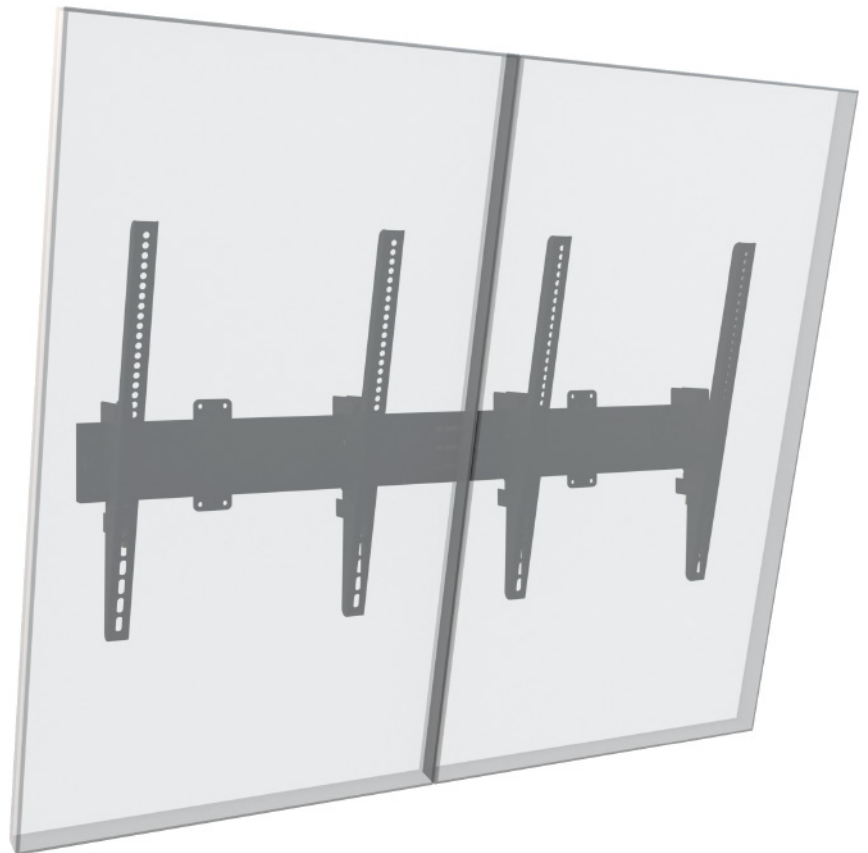
VESA max. 400 x 600 mm



Adaptable thanks to modular design



Cable management by cable clips

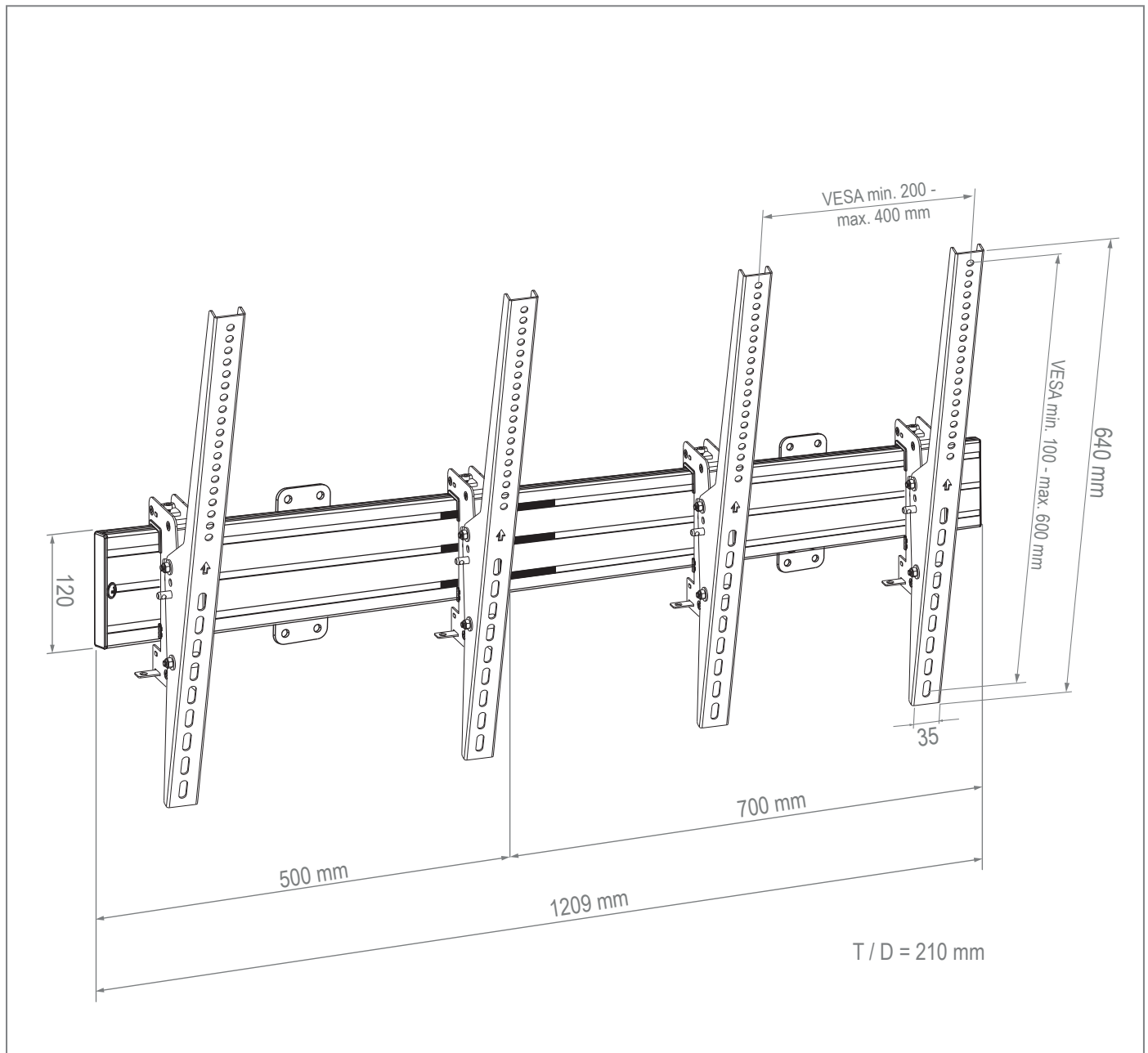


CPS MENUBOARD W2P 46 - 65“

comPROnents® complete solution

Item no.: 3308

- System for wall mounting
- 2x 46 - 65" | 117 - 165 cm | side-by-side
- VESA max. 400 x 600 mm
- Portrait
- VESA mount tiltable from 0 to 20°
- Cable routing via cable clips on the rails
- 50 kg max. load, per screen
- 1209 mm total width - can be shortened if required
- Colour: black
- combinable & expandable with comPROnents® series



Technical changes reserved | As of: 02/2022